

PART NAME

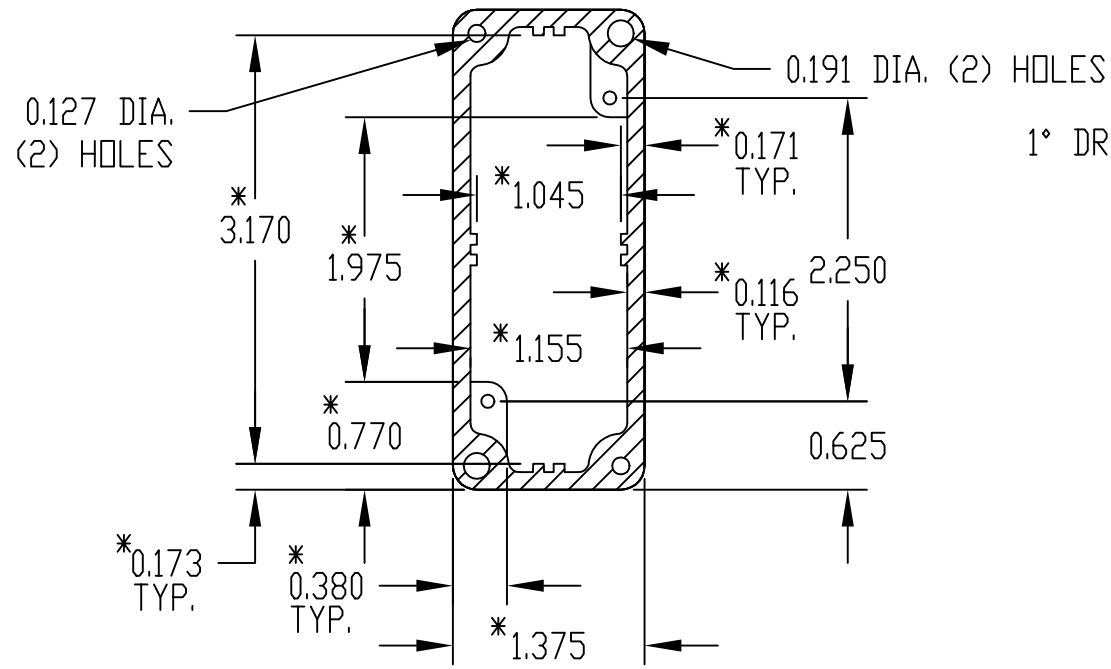
NEMA 4 ENCLOSURE

PART No.

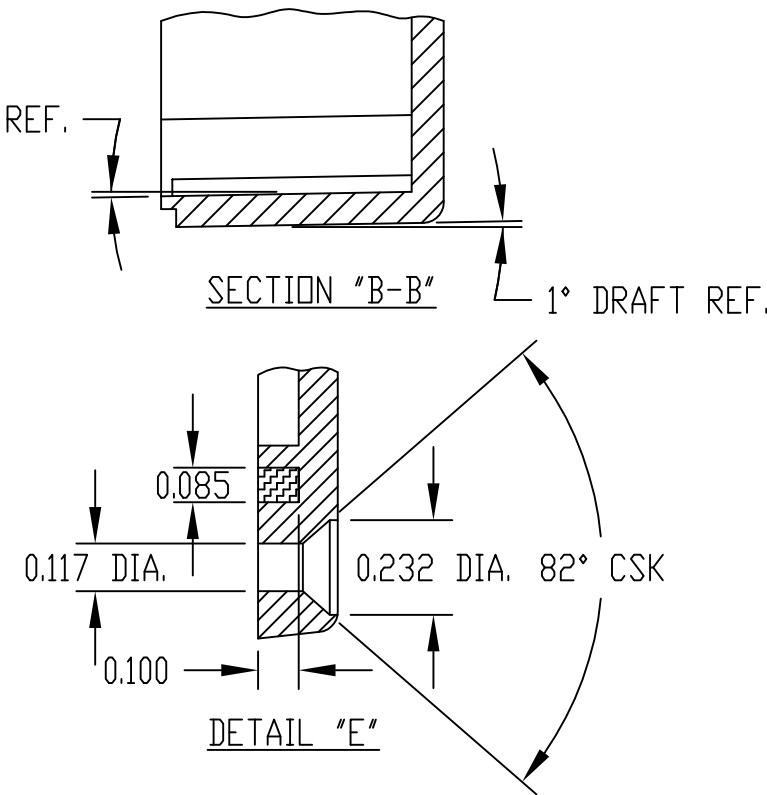
AN-1300, AN-1300-G, AN-2800 & AN-2800-B

REV. DATE

12-6-07

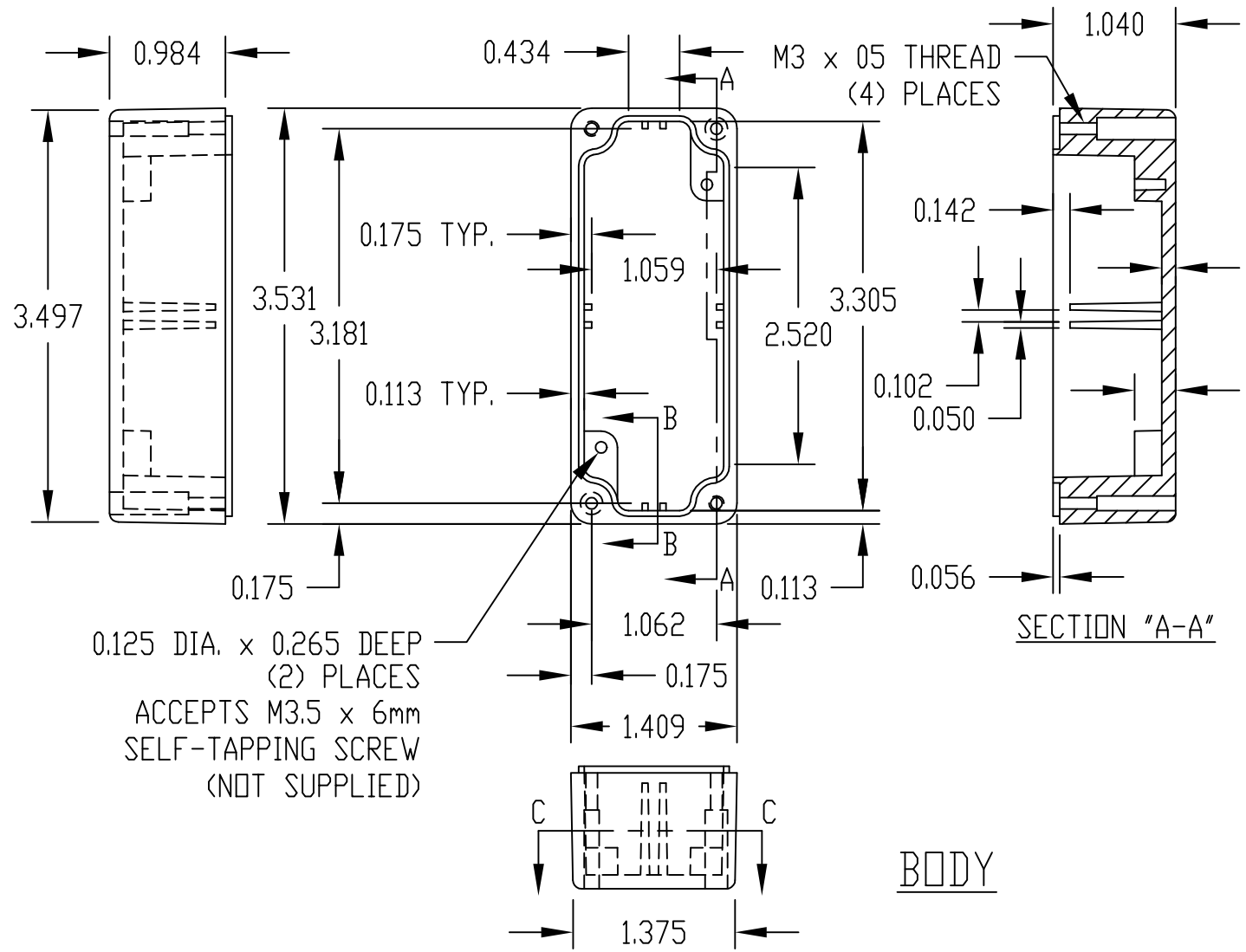


SECTION "C-C"
* DIMENSIONS ARE AT BOTTOM OF ENCLOSURE

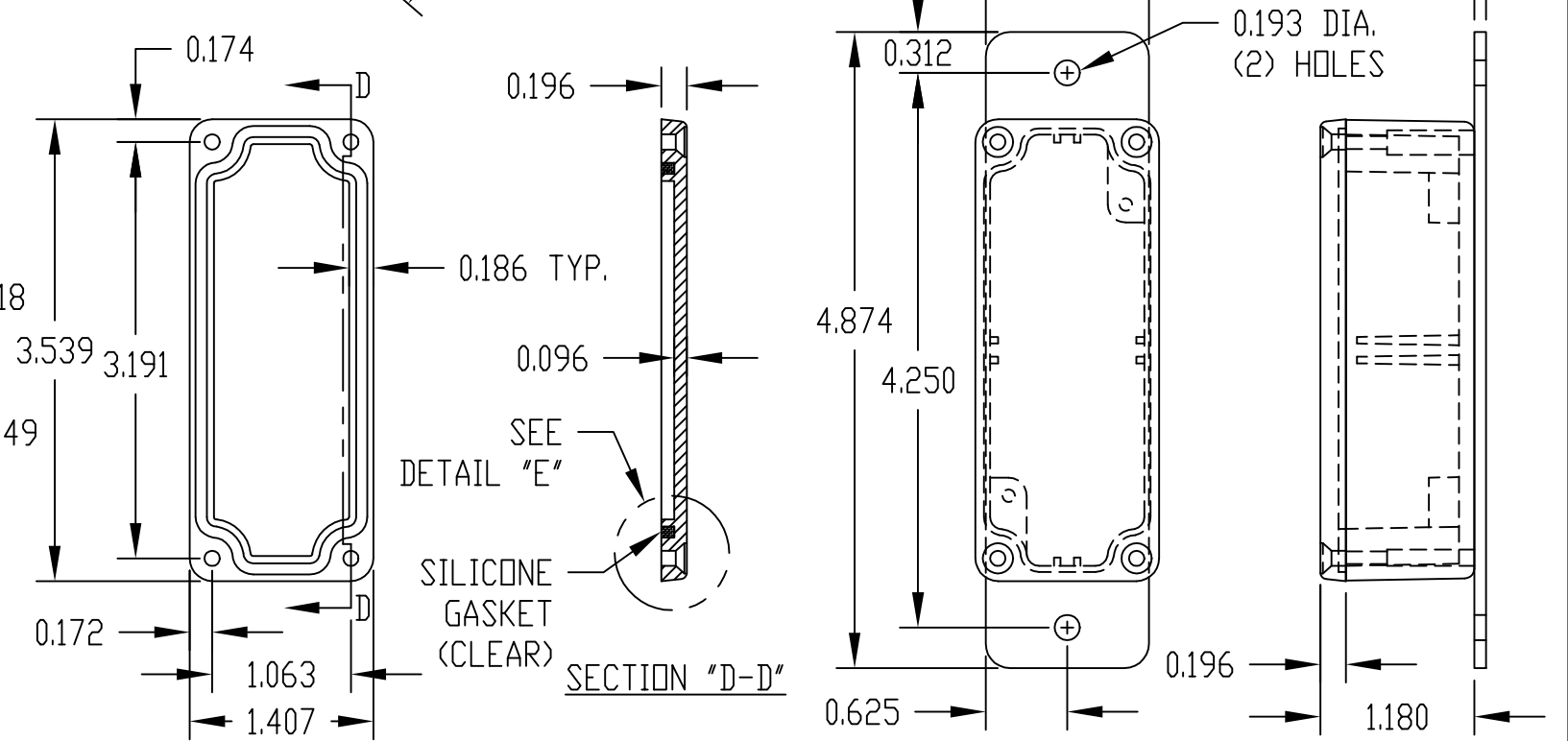


MATERIAL: ALUMINUM ALLOY #ADC-12
FINISH: NATURAL (NO SUFFIX)
GRAY (SUFFIX -G)
SMOOTH BLACK (SUFFIX -B)

- NOTES:
1) FOUR (4) M3 x 10mm (0.393") LG. SCREWS SUPPLIED FOR ASSEMBLY OF COVER TO BODY.
2) ALL HOLE DIAMETERS HAVE ±0.005 TOLERANCE ALL OTHER DIMENSIONS HAVE ±0.015 TOLERANCE



BODY



COVER

PART NO. AN-2800 & AN-2800-B ARE SUPPLIED WITH A WELDED ON MOUNTING BRACKET ONLY.